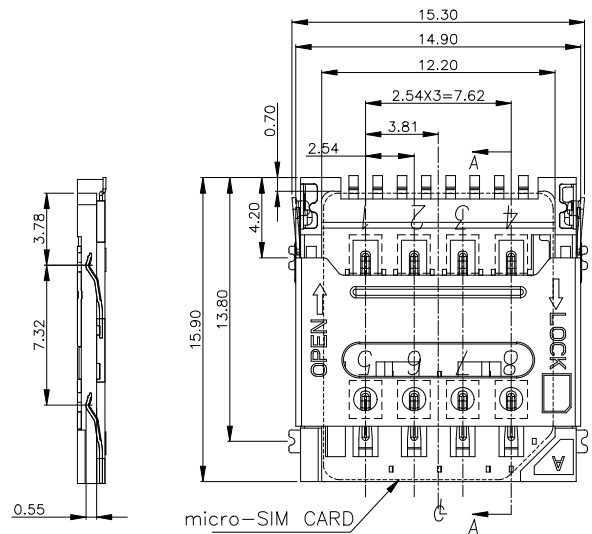
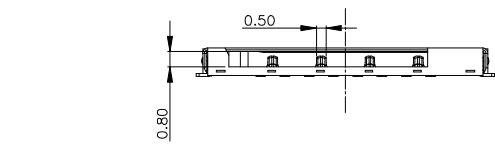
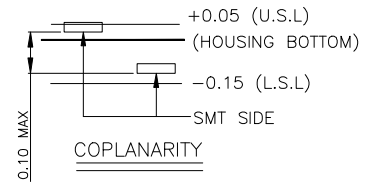
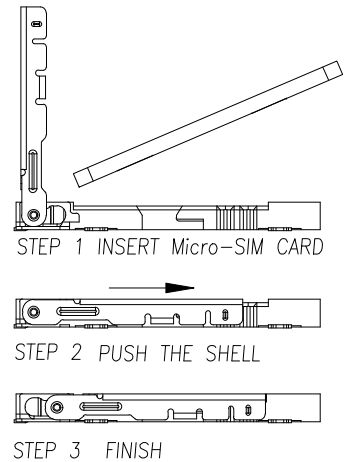
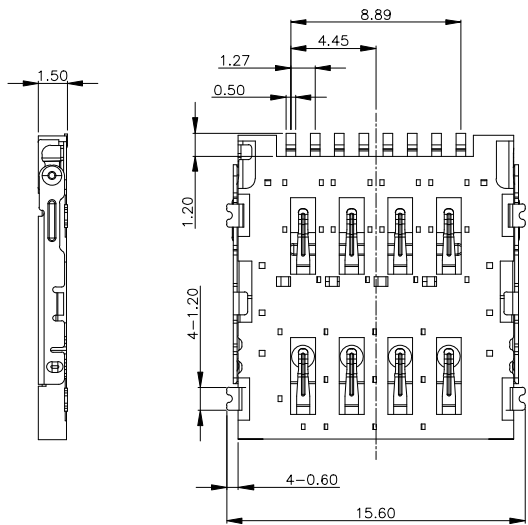




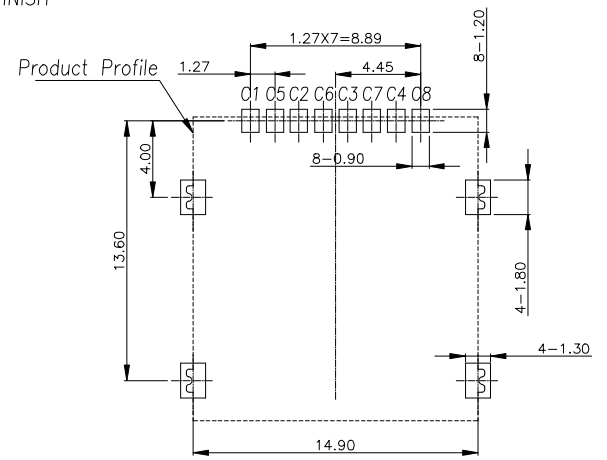
REV.	ECN NO OR DESCRIPTION	REVISED	DATE



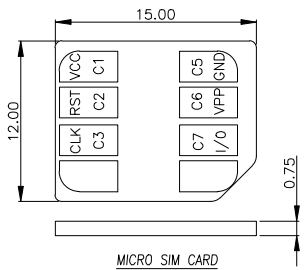
SECTION: A-A



PIN No.	DESCRIPTION
C1	VCC (SUPPLY VOLTAGE)
C2	RST (RESET SIGNAL)
C3	CLK (CLOCK SIGNAL)
C4	RESERVED
C5	GND
C6	VPP (VARIABLE SUPPLY VOLTAGE)
C7	I/O (DATA INPUT/OUTPUT)
C8	RESERVED



RECOMMENDED PCB LAYOUT
GENERAL TOLERANCE ±0.05



- NOTES:
- ELECTRICAL CHARACTERISTICS
 - CONTACT RESISTANCE: 60 MILLIOHMS MAX
 - INSULATION RESISTANCE: 1,000 MEGOHMS MIN.
 - DIELECTRIC WITHSTANDING VOLTAGE: 500V AC FOR 1 MINUTE.
 - MECHANICAL CHARACTERISTICS
 - OPERATION TEMPERATURE RANGE: -25°C~+70°C
 - DURABILITY: 5000 CYCLES
 - MATERIAL:
 - HOUSING: THERMOPLASTIC,UL 94-V0
 - TERMINAL: PHOSPHOR BRONZE,T=0.15
 - SHELL: STAINLESS STEEL,T=0.15
 - FINISHED:
 - TERMINAL: NI PLATED UNDER,AU PLATED ON CONTACT AREA,G/F PLATED ON SOLDER TAIL

UNLESS OTHERWISE SPECIFIED TOLERANCES		东莞市汉博电子科技有限公司 DONGGUAN HANBO TECHNOLOGY CO., LTD		
DECIMALS:	ANGLES:	TITLE	micro sim card hinged 8pin H1.5 铰链式	
X : ±0.5	X : ±2°	DWN	xiong	SN0-1340
X.X : ±0.20	X.X : ±1°	CHKD	lee	SCALE:1:1 UNIT: mm
X.XX : ±0.10		APVD	wang	SIZE: A4 SHEET:10F 1 REV: A4
CUSTOMER COPY				